

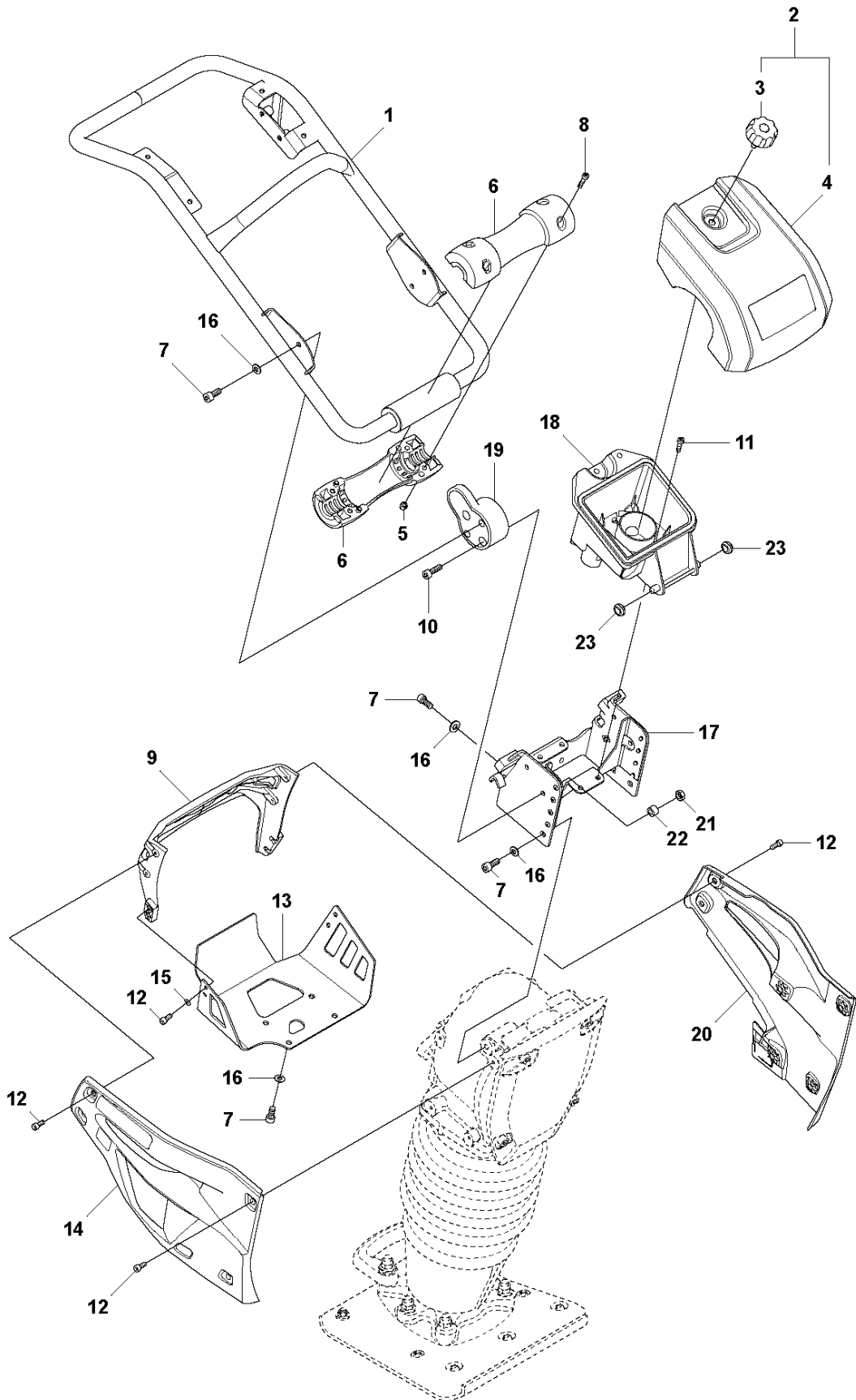


SPARE PARTS LIST

LIGHT COMPACTION

LT 6005, 967854501, 967854502,
967926202, 2019-08

A LT 6005
HANDLE & COVERS

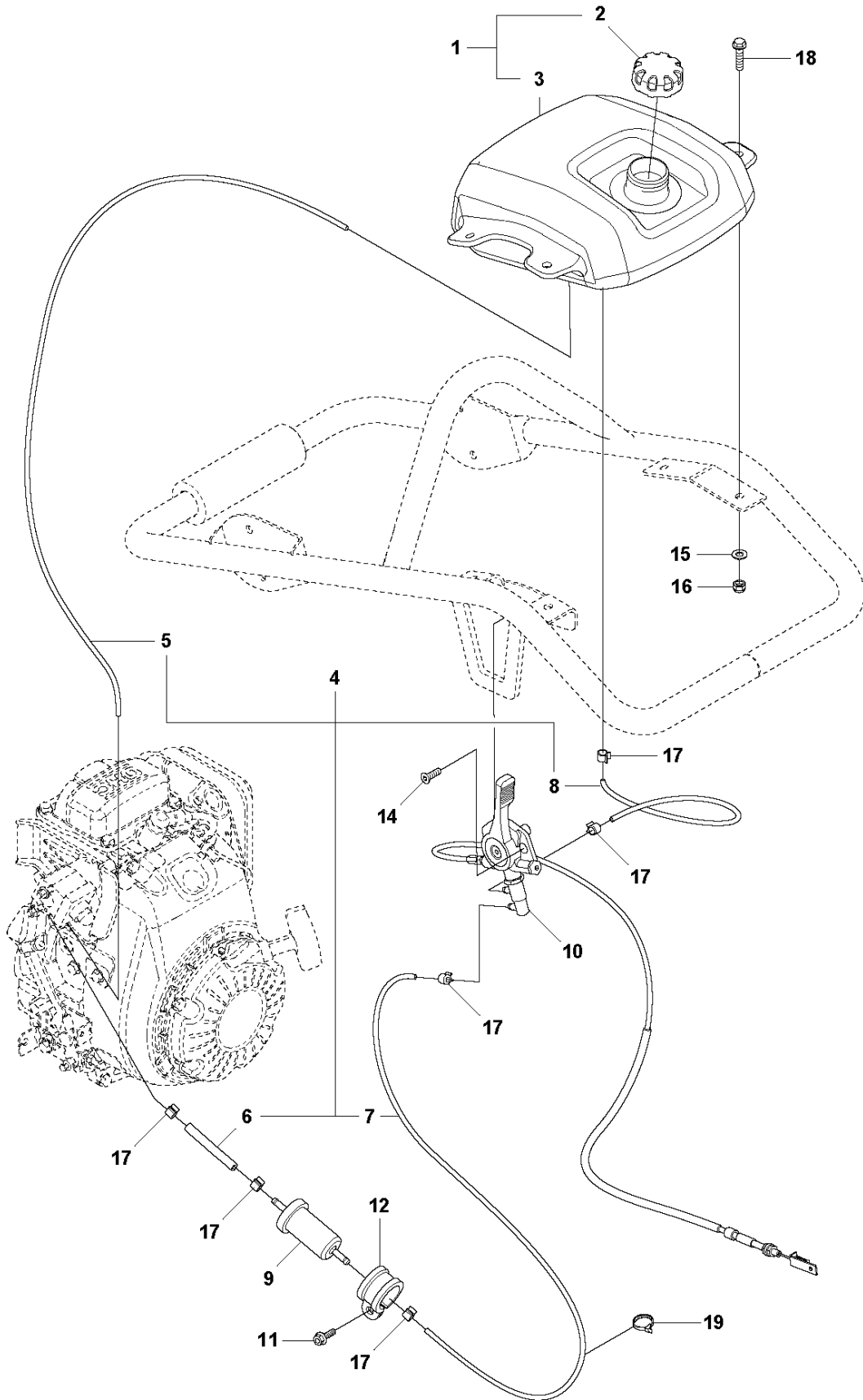


HANDLE & COVERS

LT 6005, 967854501, 967854502, 967926202, 2019-08

Ref	Part No	Description	Remark	QTY	KIT
1	594 19 15-01	FRAME		1	
2	595 27 61-01	HOOD		1	
3	594 19 21-01	KNOB		1	2
4	595 08 88-01	CAP		1	2
5	595 03 60-01	LOCK NUT		4	
6	594 45 85-01	VALVE		2	
7	595 34 83-01	SOCKET		12	
8	595 11 12-01	SCREW	M6x30, 8.8	4	
9	594 16 73-01	COVER		1	
10	595 03 45-01	SCREW		4	
11	595 34 81-01	SOCKET		4	
12	595 03 42-01	SCREW		16	
13	594 95 94-01	ENGINE COVER		1	
14	594 16 74-01	COVER		1	
15	595 03 65-01	WASHER		4	
16	595 03 66-01	WASHER	DIN125	12	
17	594 75 98-01	BRACKET		1	
18	595 36 76-01	CASE		1	
19	594 16 70-01	ABSORBER		2	
20	594 16 75-01	COVER		1	
21	595 03 57-01	NUT	DIN934	4	
22	594 18 15-01	SPACER		4	
23	596 24 35-01	GROMMET		2	

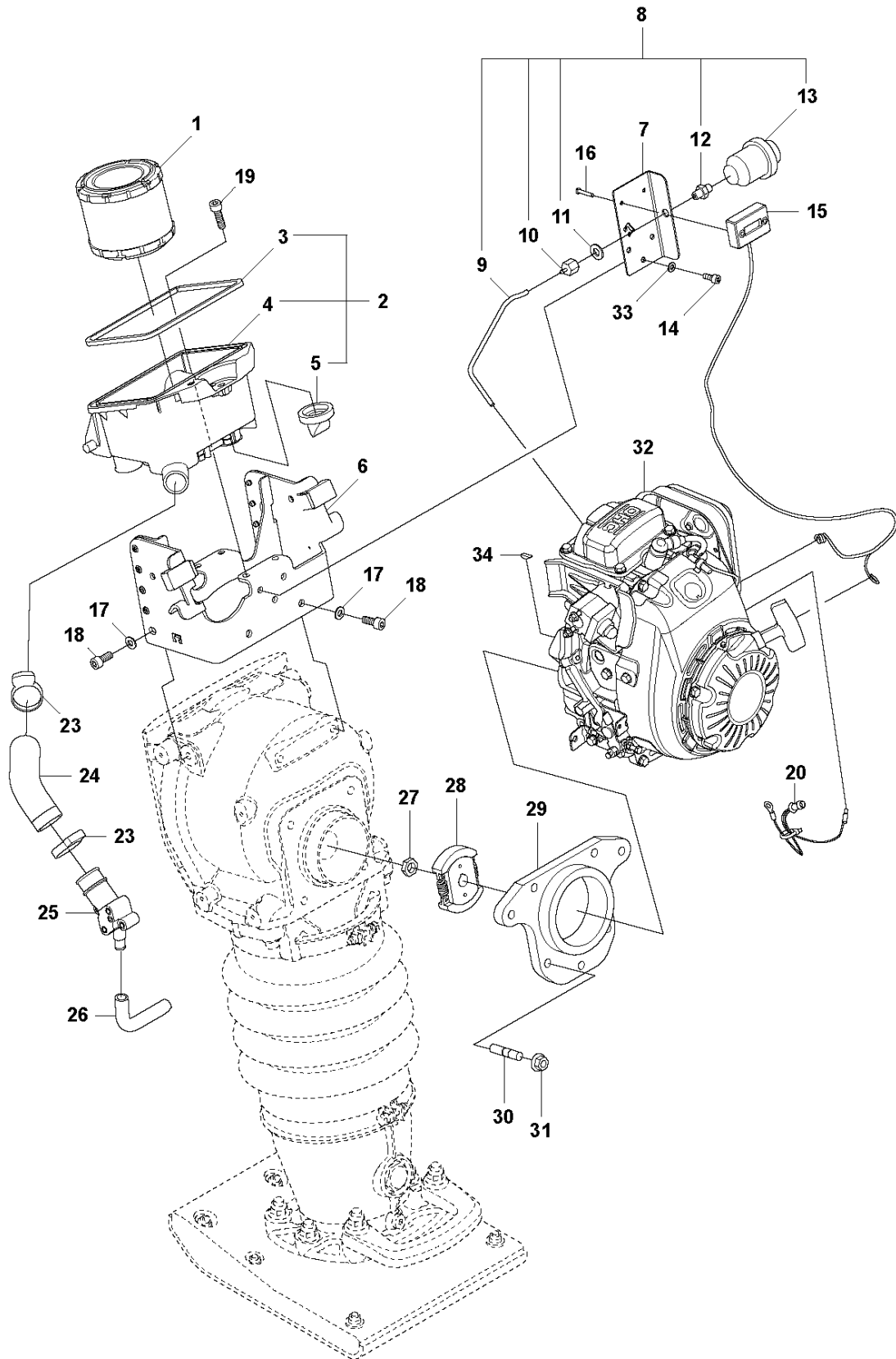
B LT 6005
THROTTLE CONTROL & FUEL SYSTEM



THROTTLE CONTROL & FUEL SYSTEM LT 6005, 967854501, 967854502, 967926202, 2019-08

Ref	Part No	Description	Remark	QTY KIT
1	594 21 09-01	FUEL TANK		1
2	594 16 99-01	FUEL CAP		1
3	595 04 47-01	FUEL TANK ASSY		1
4	594 19 37-01	FUEL HOSE		1
5	594 18 96-01	FUEL HOSE		1
6	594 75 93-01	FUEL HOSE		1
7	594 18 95-01	FUEL HOSE		1
8	594 75 89-01	FUEL HOSE		1
9	594 19 29-01	FUEL FILTER		1
10	594 18 94-01	THROTTLE CONTROL		1
11	594 52 33-01	SCREW	M6 x 16	1
12	594 12 57-01	PIPE CLAMP		1
14	595 34 97-01	SOCKET		2
15	595 03 65-01	WASHER		4
16	595 03 60-01	LOCK NUT		4
17	594 12 58-01	HOSE CLAMP		6
18	594 11 96-01	SCREW	M6 x 20 mm	4
19	594 12 60-01	CABLE		3

C LT 6005
ENGINE INSTALLATION

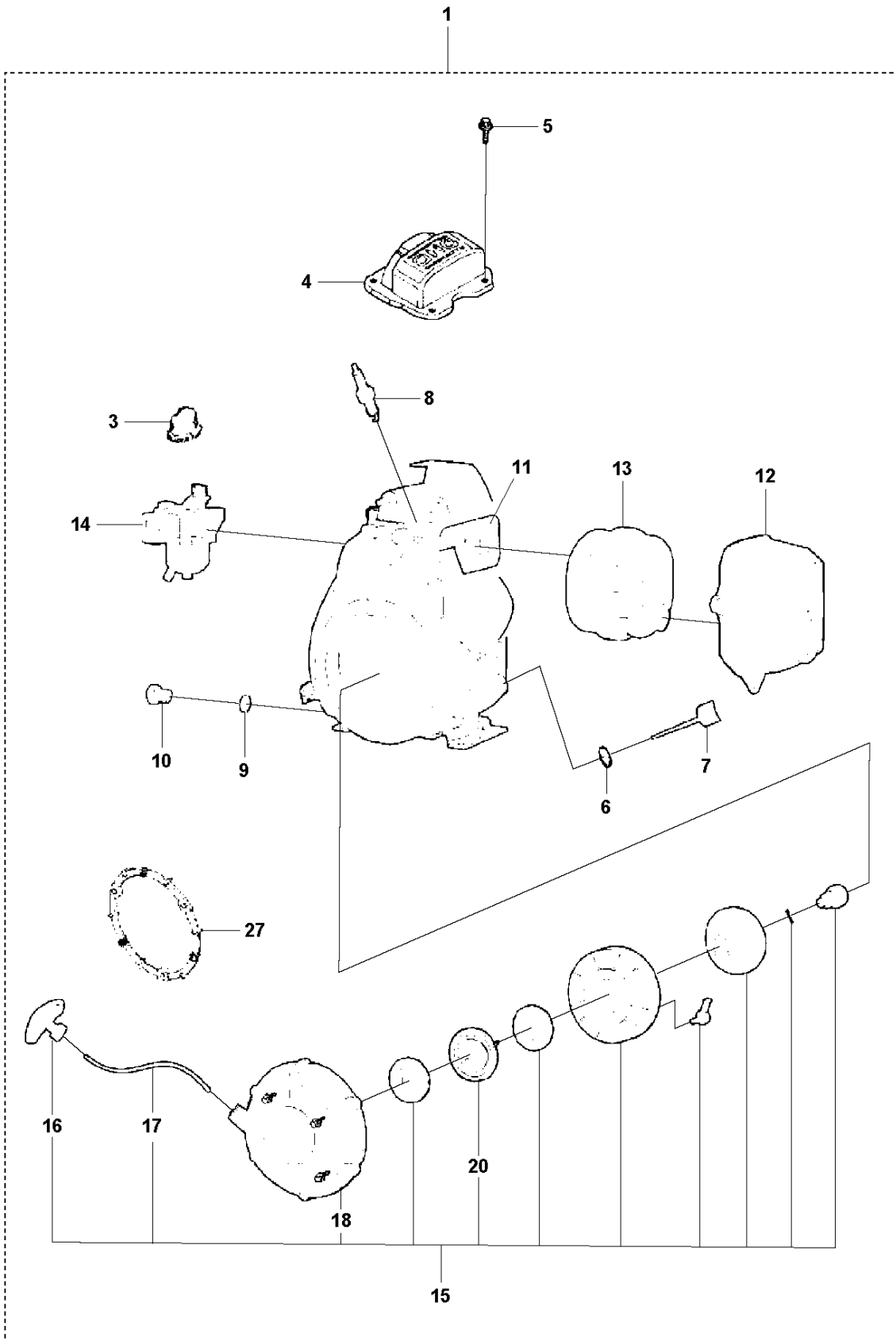


ENGINE INSTALLATION

LT 6005, 967854501, 967854502, 967926202, 2019-08

Ref	Part No	Description	Remark	QTY KIT
1	594 16 87-01	AIR FILTER		1
2	594 16 80-01	HOUSING		1
3	594 17 90-01	GASKET		1
4	595 36 76-01	CASE		1
5	594 16 91-01	VALVE		2
6	594 75 98-01	BRACKET		1
7	595 36 37-01	HOLDER		1
8	594 17 83-01	INDICATOR		1
9	594 17 14-01	HOSE		1
10	594 17 13-01	CONNECTION		1
11	594 17 12-01	WASHER		1
12	594 17 11-01	FITTING		1
13	594 17 15-01	INDICATOR		1
14	595 11 11-01	SCREW	M6 x 14 mm	3
15	594 16 92-01	HOUR METER		1
16	594 12 17-01	SCREW	RXK PHIL ST 2.9 x 6.5 mm	2
17	595 04 39-01	WASHER		4
19	595 34 81-01	SOCKET		4
18	595 34 83-01	SOCKET		4
20	594 17 71-01	ENGINE		1
23	594 12 59-01	HOSE CLAMP		2
24	594 16 83-01	HOSE		1
25	594 16 81-01	HOSE CONNECTOR		1
26	594 43 76-01	HOSE		1
27	594 12 27-01	NUT	M12 x 1.25 mm A3K	1
28	594 16 17-01	CENTRIFUGAL CLUTCH		1
29	595 37 58-01	FLANGE		1
30	594 59 22-01	STUD	M10 x 47 mm	4
31	595 03 55-01	NUT	M10 x 1.25 mm	4
32	594 17 70-01	ENGINE	Honda GXR120RT KRD6	1
33	595 03 65-01	WASHER		3
34	594 46 00-01	KEY		1

D LT 6005
ENGINE - HONDA GXR 120

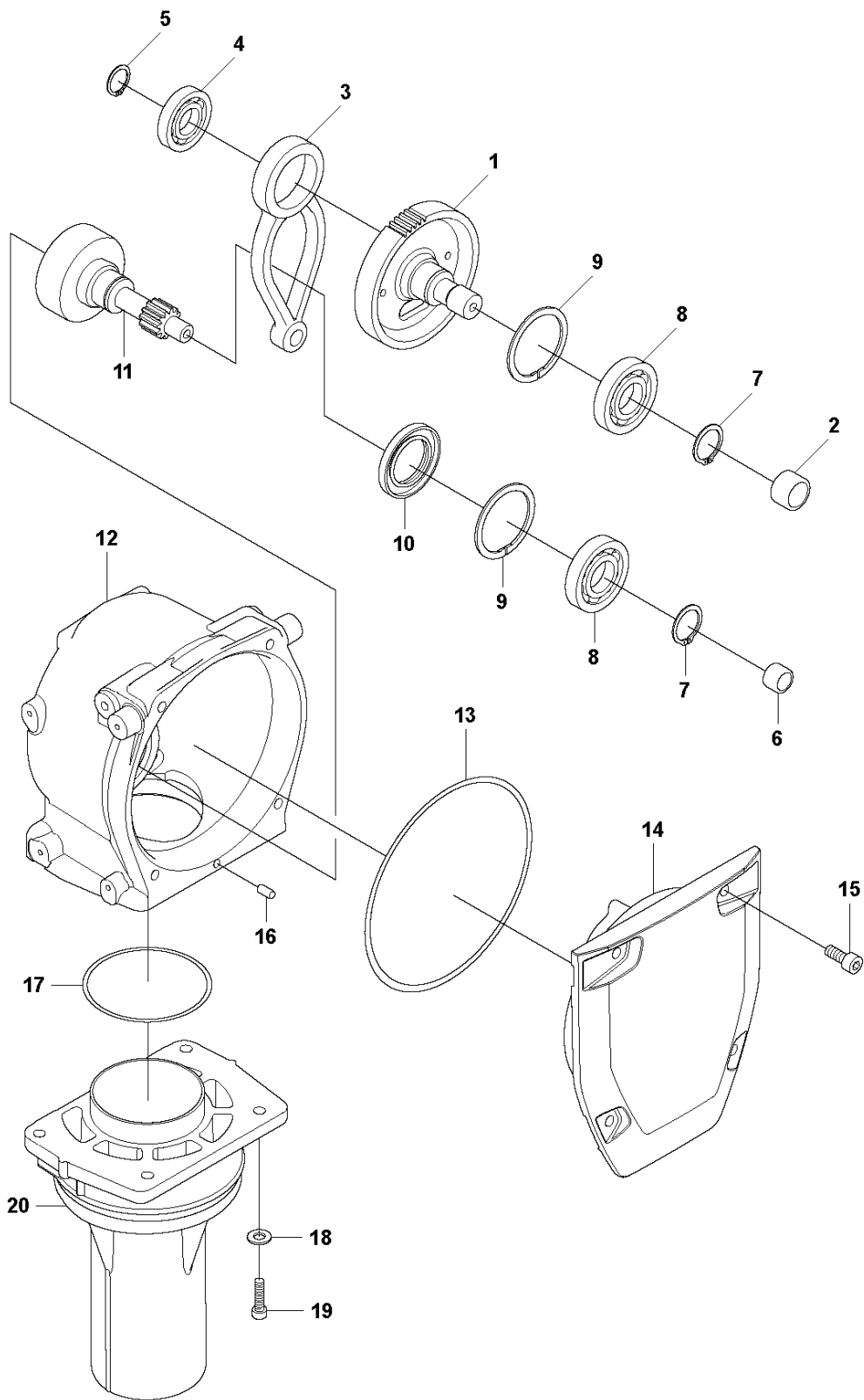


ENGINE

LT 6005, 967854501, 967854502, 967926202, 2019-08

Ref	Part No	Description	Remark	QTY	KIT
1	594 17 70-01	ENGINE	ENGINE HONDA GXR 120	1	
3	594 18 99-01	PUMP	Primer	1	1
4	594 19 12-01	COVER	Head	1	1
5	594 19 13-01	BOLT	6x14 (ct200)	1	1
6	595 37 42-01	CAP		1	1
7	595 37 43-01	CAP		1	1
8	594 58 51-01	SPARK PLUG	(cr5hsb)	1	1
9	595 04 89-01	GASKET		1	1
10	595 37 44-01	BOLT	Drain Plug	1	1
11	595 37 24-01	GASKET	Muffler	1	1
12	595 12 90-01	MUFFLER		1	1
13	595 37 23-01	MUFFLER	Complete	1	1
14	594 21 38-01	CARBURETTOR	GXR 120	1	1
15	594 21 56-01	STARTER ASSY	Complete	1	1
16	594 19 02-01	KNOB		1	1, 15
17	594 19 03-01	STARTER ROPE		1	1, 15
18	594 21 56-01	STARTER ASSY	Recoil	1	1, 15
20	594 19 01-01	RECOIL SPRING	Starter	1	1, 15
27	594 18 98-01	SPACER	Starter Mounting	1	1

E LT 6005
TRANSMISSION

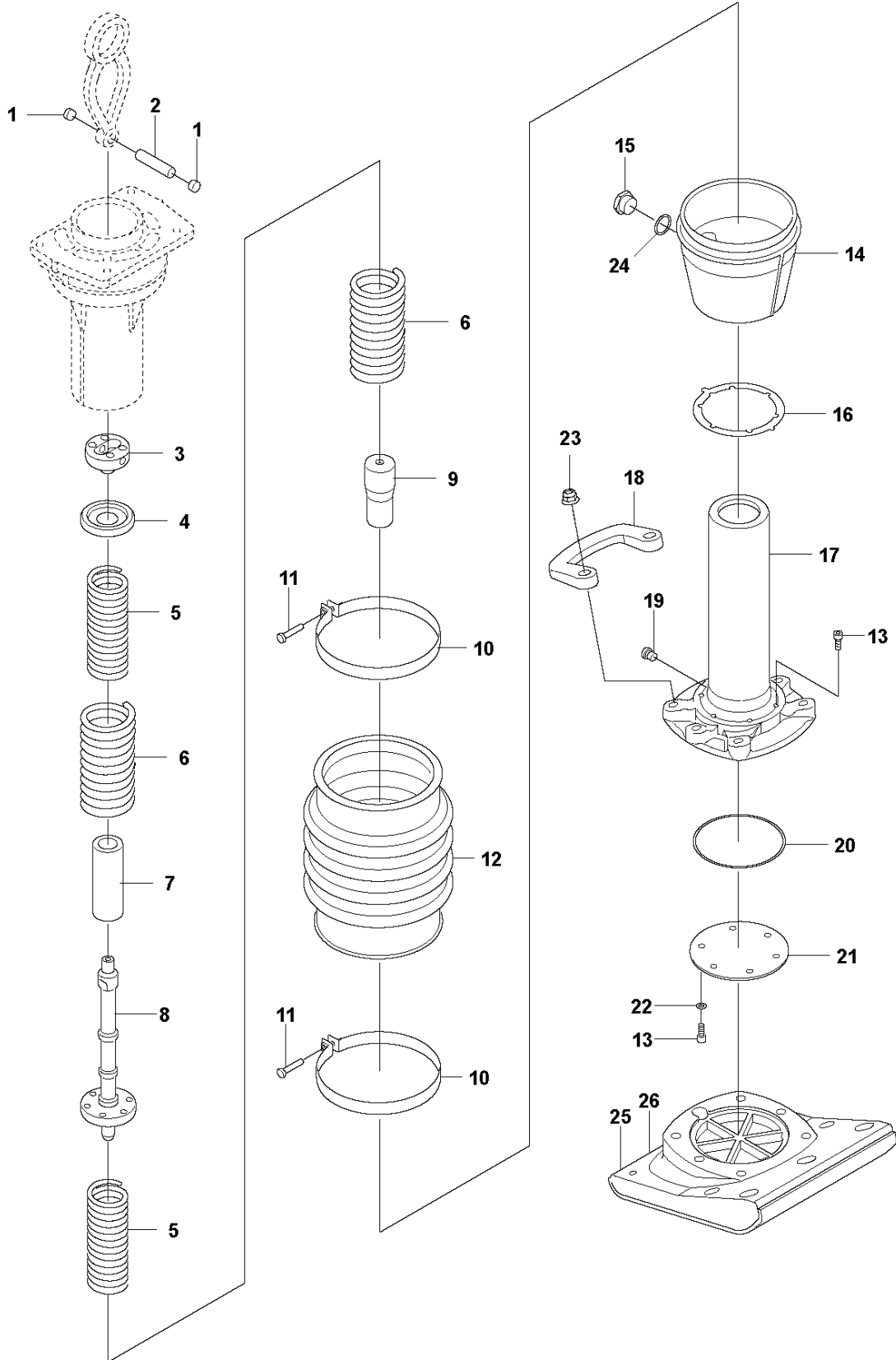


TRANSMISSION

LT 6005, 967854501, 967854502, 967926202, 2019-08

Ref	Part No	Description	Remark	QTY KIT
1	594 44 21-01	GEAR WHEEL		1
2	594 53 74-01	ROLLER BEARING		1
3	594 44 22-01	CONNECTING ROD		1
4	594 25 85-01	BALL BEARING		1
5	594 12 47-01	RETAINER RING		1
6	594 53 73-01	ROLLER BEARING		1
7	595 11 40-01	SNAP RING		2
8	594 53 17-01	BALL BEARING		2
9	595 04 62-01	SNAP RING		2
10	594 53 76-01	SEALING		1
11	594 44 40-01	SHAFT		1
12	594 16 69-01	CRANKCASE		1
13	595 35 52-01	O-RING		1
14	595 36 29-01	COVER		1
15	595 17 98-01	SCREW		4
16	594 50 17-01	PIN		1
17	595 11 77-01	O-RING		1
18	594 74 74-01	WASHER		4
19	595 34 87-01	SCREW	M6	4
20	594 17 84-01	TUBE		1

F LT 6005
SPRING UNIT

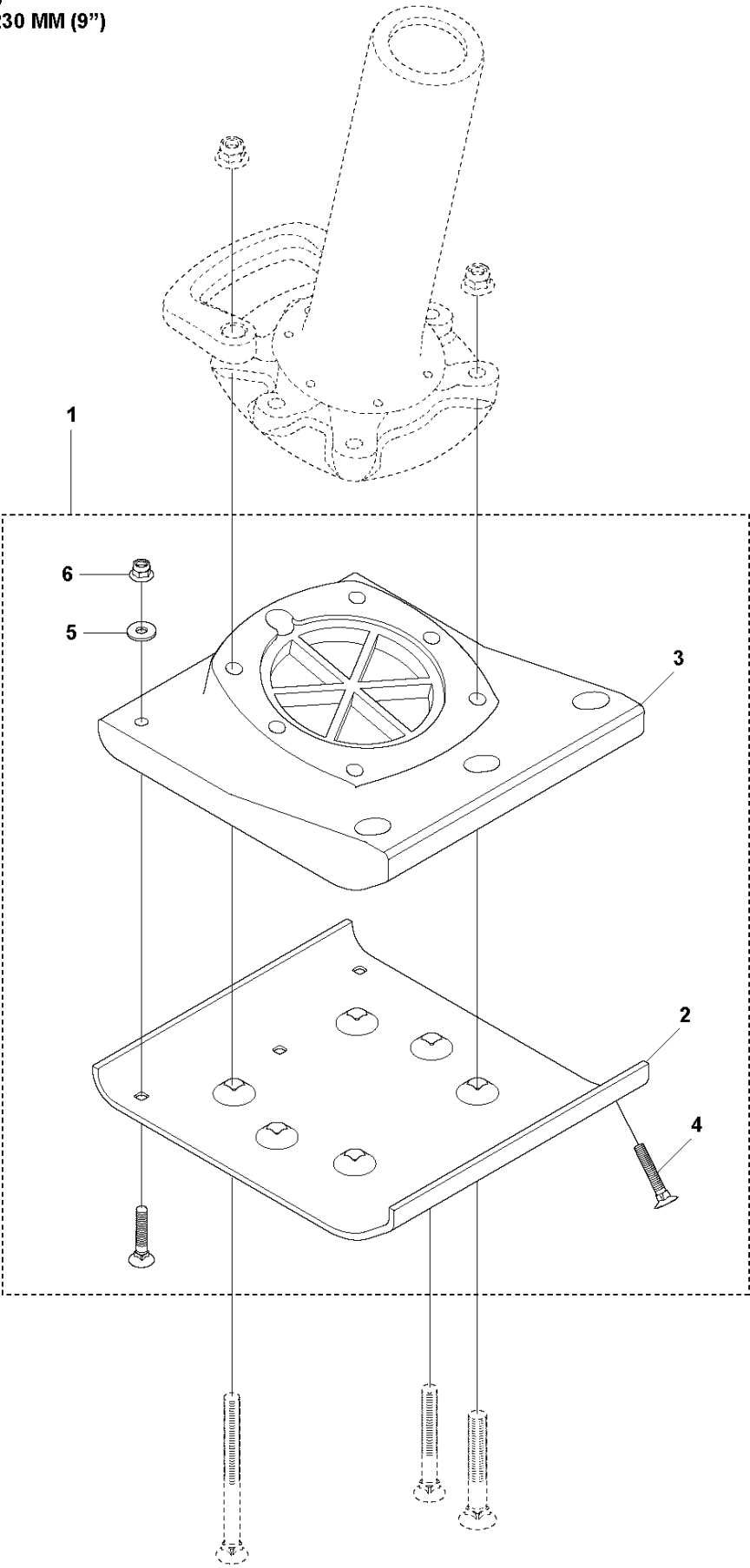


SPRING UNIT

LT 6005, 967854501, 967854502, 967926202, 2019-08

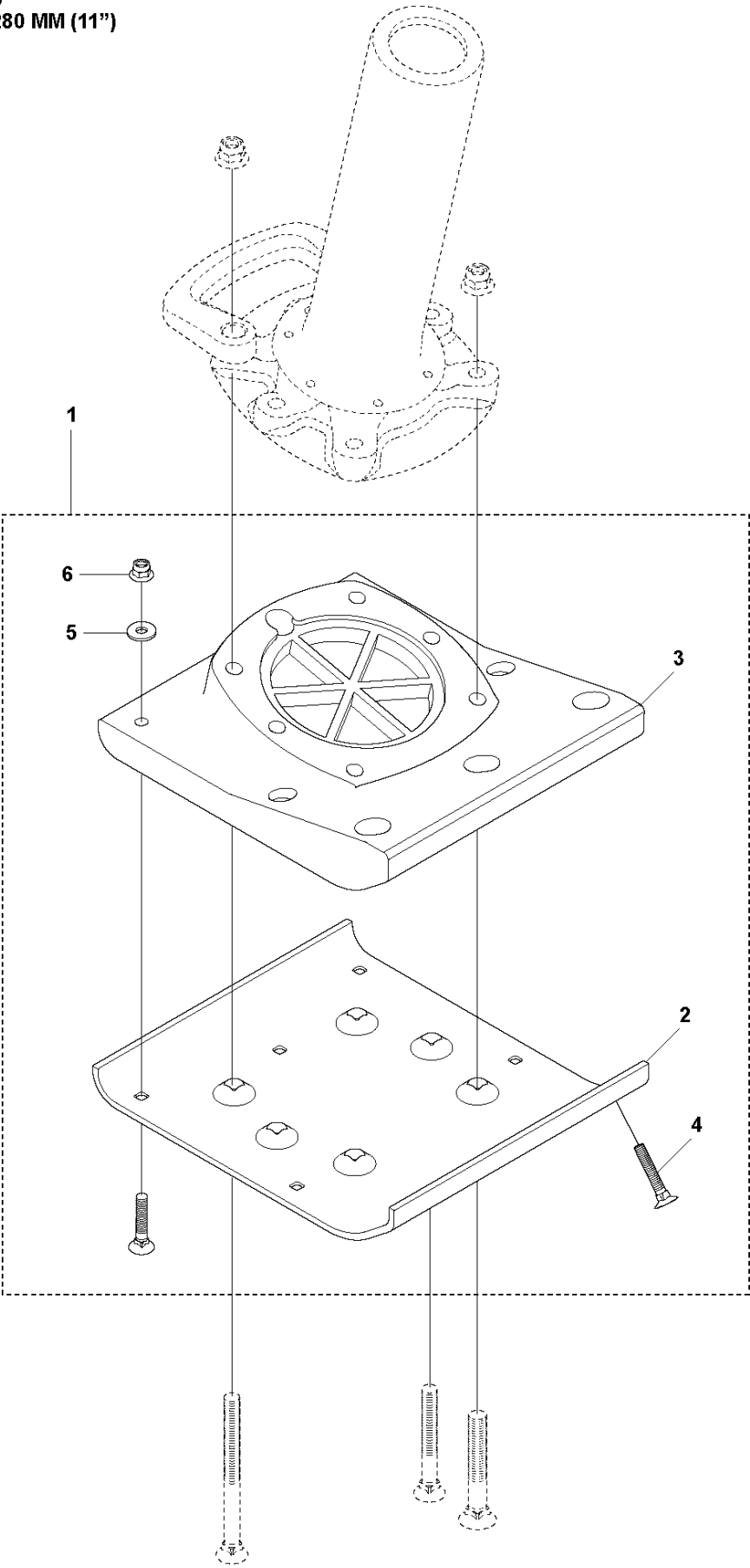
Ref	Part No	Description	Remark	QTY KIT
1	594 44 43-01	PLUG		2
2	594 44 41-01	BOLT		1
3	594 44 74-01	PISTON ROD		1
4	594 45 63-01	COVER		1
5	594 44 18-01	SPRING		2
6	594 44 17-01	SPRING		2
7	594 44 19-01	STOP		1
8	594 45 60-01	PISTON ROD		1
9	594 44 20-01	STOP		1
10	594 34 96-01	HOSE CLAMP		2
11	595 03 35-01	SCREW		2
12	594 65 20-01	BELLOWS		1
13	595 34 83-01	SOCKET		12
14	594 47 43-01	BRACKET		1
15	594 51 85-01	LEVEL		1
16	594 45 59-01	GASKET		1
17	594 45 61-01	TUBE		1
18	594 45 82-01	BRACKET		1
19	594 53 75-01	PLUG		1
20	595 04 71-01	O-RING		1
21	594 45 11-01	COVER		1
22	594 12 77-01	SEALING WASHER		6
23	594 12 33-01	NUT	M12, 10.9	2
24	594 51 84-01	WASHER		1
25	594 19 34-01	FOOTPLATE	Mount 11 in.	1
26	594 19 34-03	FOOTPLATE	Mount 9 in.	1

G LT 6005
FOOT 230 MM (9")



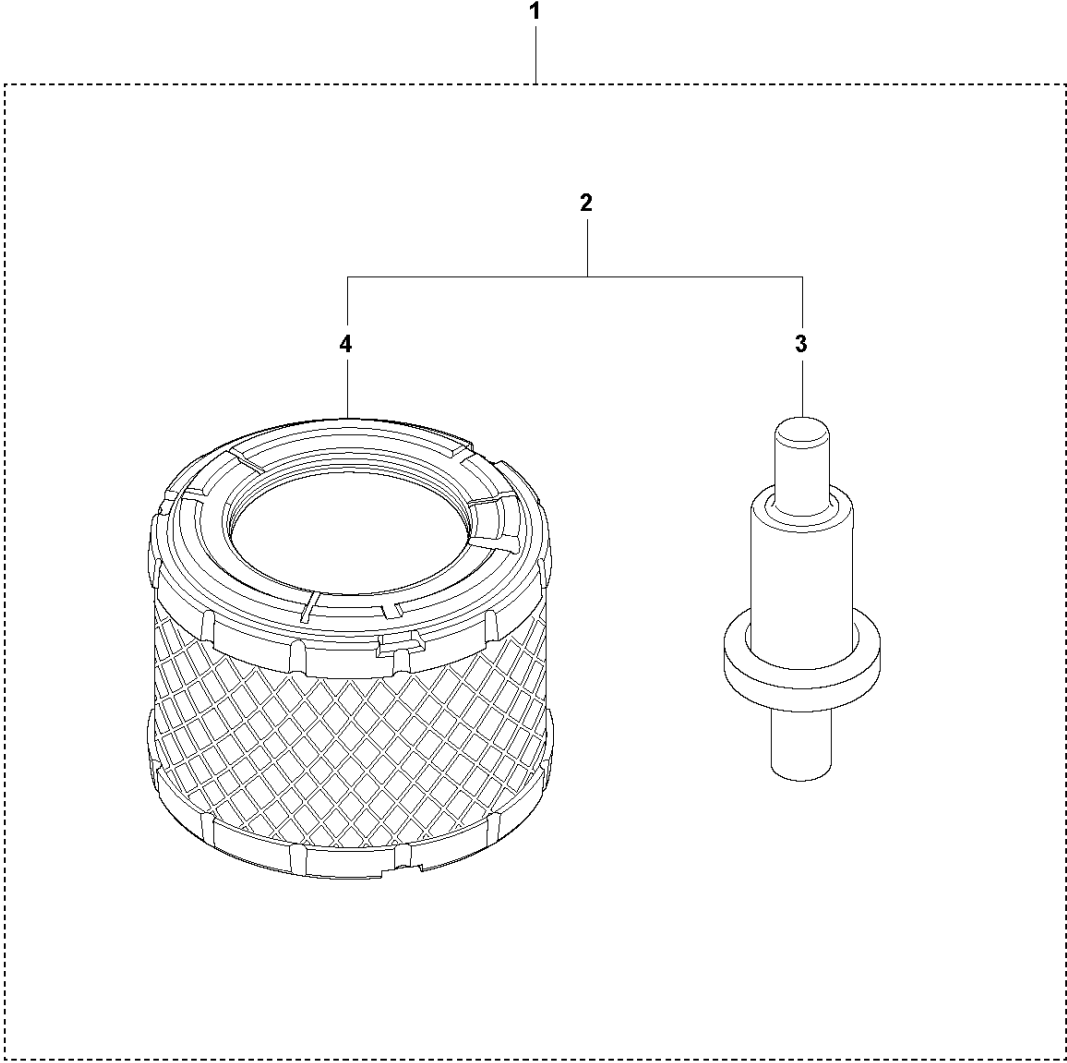
Ref	Part No	Description	Remark	QTY KIT	
1	594 19 34-03	FOOTPLATE	Ramming Foot Mount 9 inch	1	
2	594 16 84-01	PLATE	Base	1	1
3	594 45 21-01	FOOTPLATE	Foot	1	1
4	594 51 70-01	SCREW	M8 x 50 mm NYLOK BLUE PATCH(Known as TUF-LOK in Europe)	6	1
5	594 12 34-01	WASHER	8.4 x 22 x 3 mm, 0.33 x 0.87 x 0.12 in. HV300	6	1
6	594 12 30-01	LOCK NUT	M8x1.25 mm A2K	6	1

H LT 6005
FOOT 280 MM (11")



Ref	Part No	Description	Remark	QTY KIT	
1	594 19 34-01	FOOTPLATE	Ramming Foot Mount 11 inch	1	
2	594 16 72-01	PLATE	Base	1	1
3	594 45 10-01	FOOTPLATE	Foot	1	1
4	594 51 70-01	SCREW	M8 x 50 mm NYLOK BLUE PATCH(Known as TUF-LOK in Europe)	8	1
5	594 12 34-01	WASHER	8.4 x 22 x 3 mm, 0.33 x 0.87 x 0.12 in. HV300	8	1
6	594 12 30-01	LOCK NUT	M8x1.25 mm A2K	8	1

J LT 6005
START UP KIT

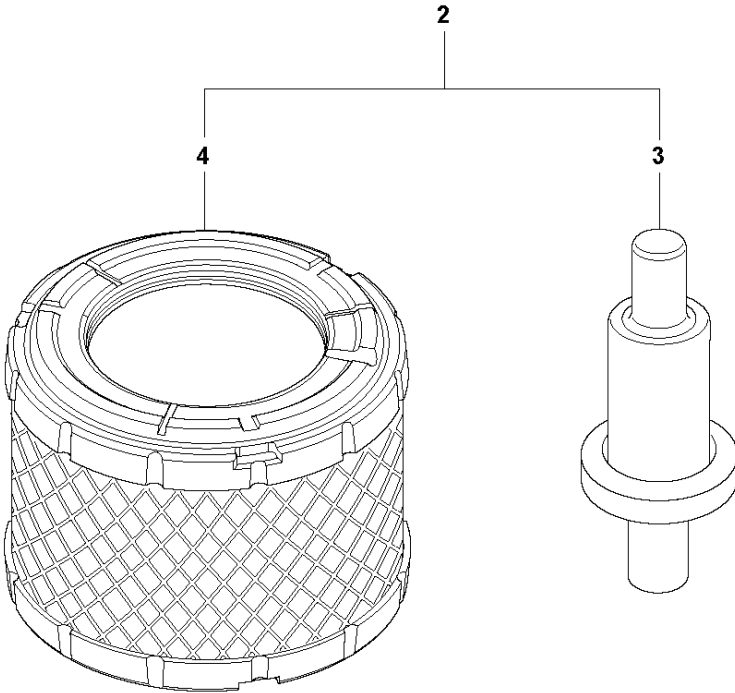


START UP KIT

LT 6005, 967854501, 967854502, 967926202, 2019-08

Ref	Part No	Description	Remark	QTY KIT	
1	594 21 65-01	SERVICE KIT		1	
2	594 21 45-01	SERVICE KIT		1	1
3	594 18 04-01	FUEL FILTER		2	2
4	594 16 87-01	AIR FILTER		2	2

K LT 6005
6 MONTHS / EVERY 100 HOURS KIT

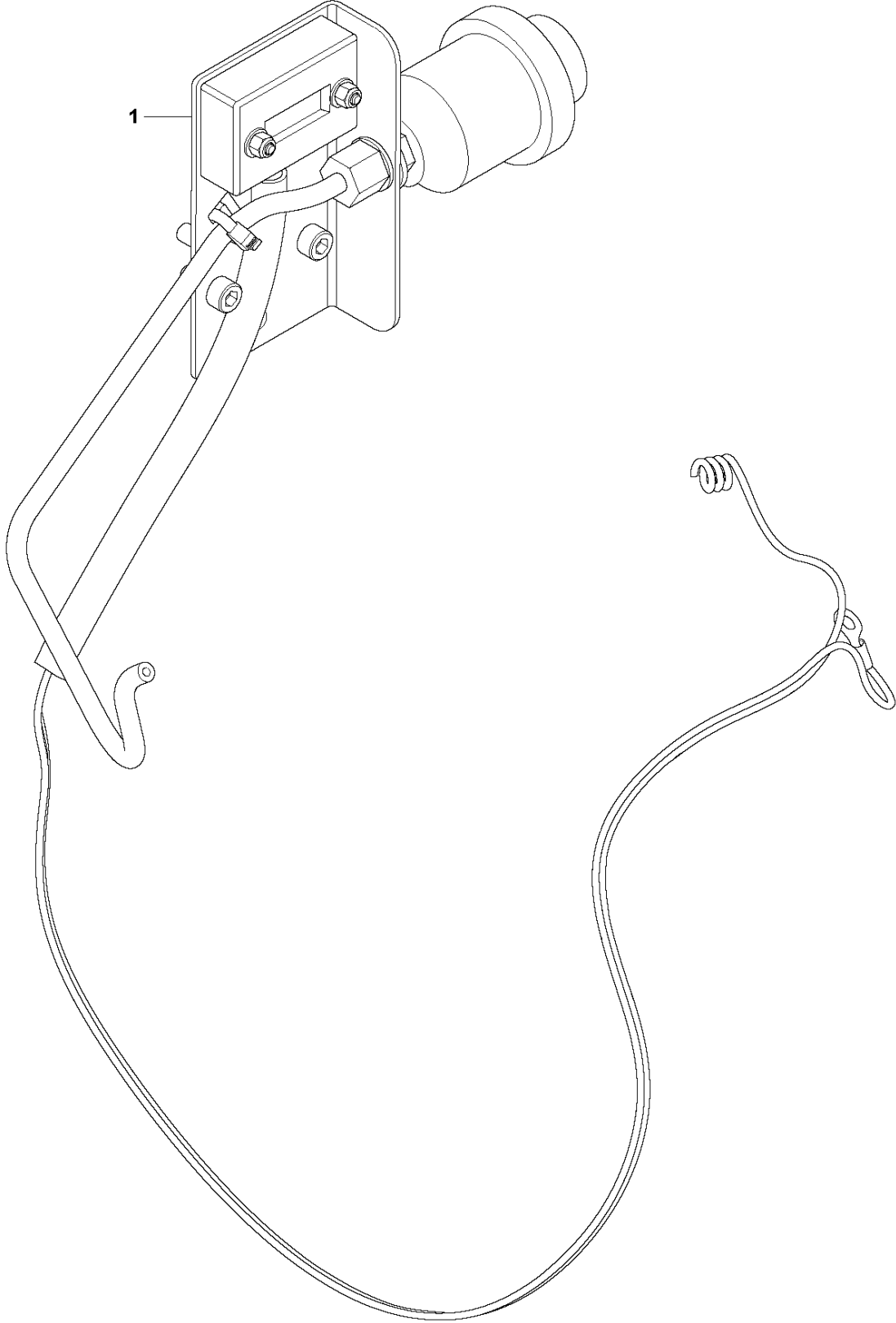


6 MONTHS / EVERY 100 HOURS KIT

LT 6005, 967854501, 967854502, 967926202, 2019-08

Ref	Part No	Description	Remark	QTY KIT	
2	594 21 45-01	SERVICE KIT		1	
3	594 18 04-01	FUEL FILTER		2	2
4	594 16 87-01	AIR FILTER		2	2

L LT 6005
AIR FILTER INDICATOR & HOUR METER KIT

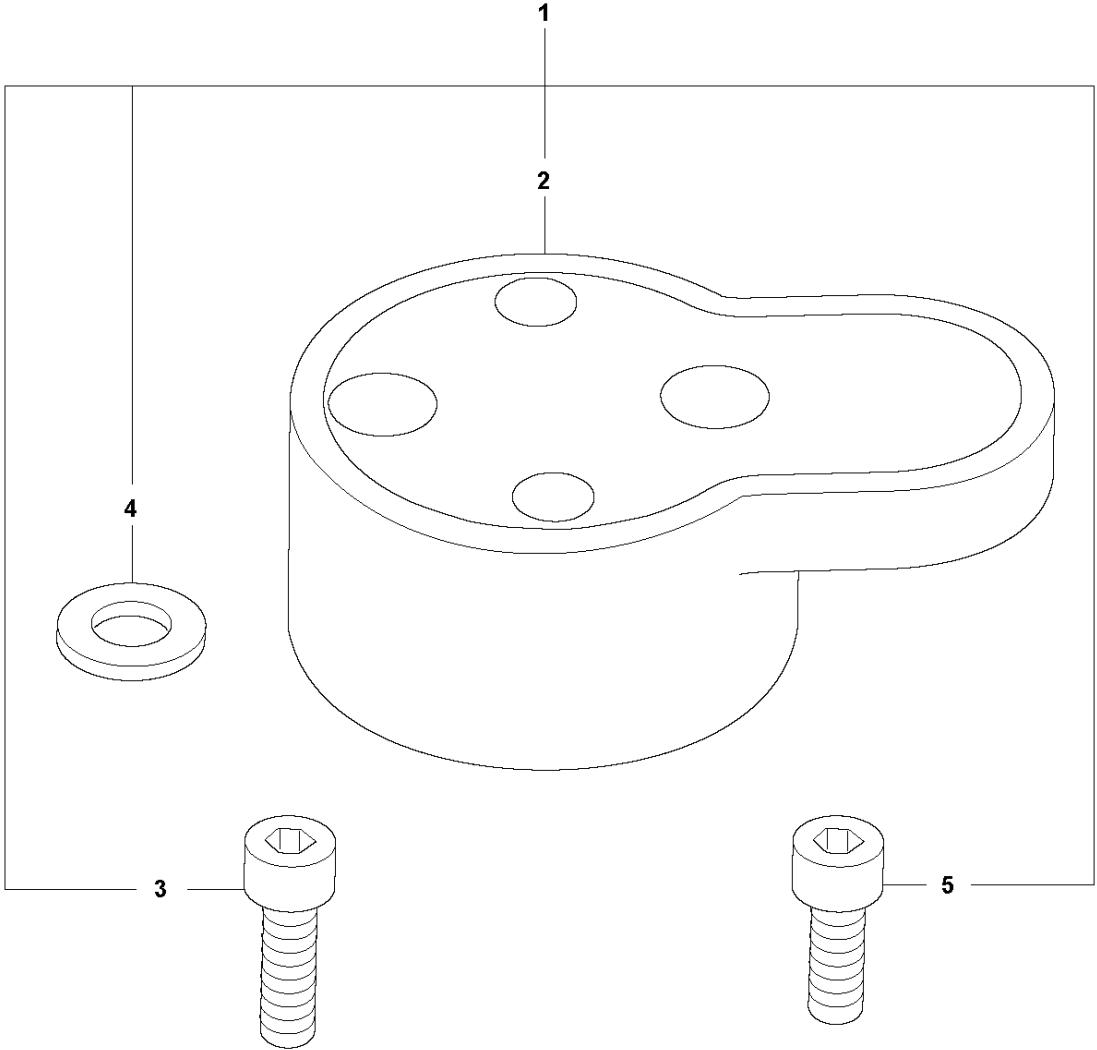


AIR FILTER INDICATOR & HOUR METER REPAIR KIT
967926202, 2019-08

LT 6005, 967854501, 967854502,

Ref	Part No	Description	Remark	QTY KIT
1	595 36 38-01	INDICATOR		1

M LT 6005
SHOCK ABSORBER REPAIR KIT

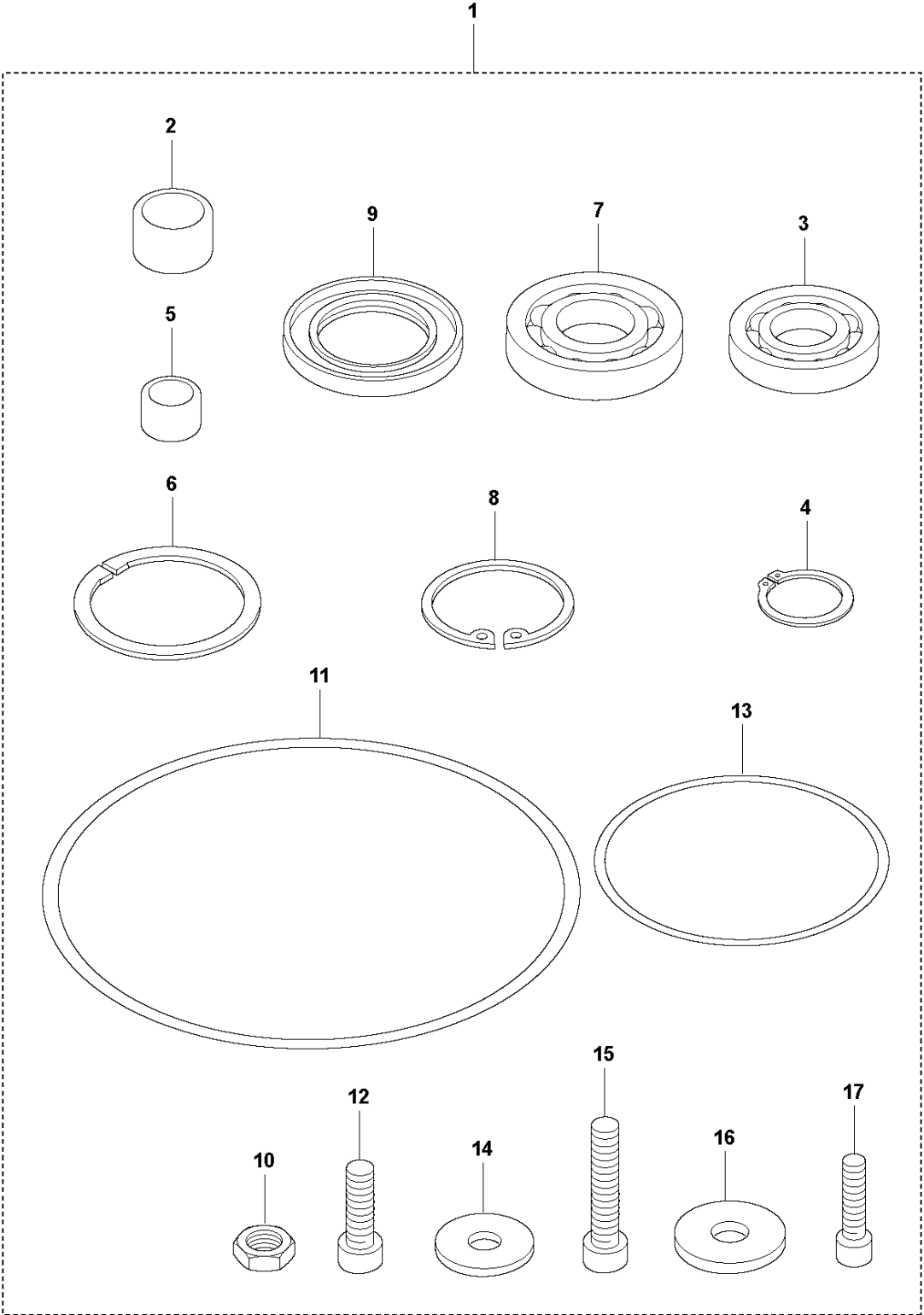


SHOCK ABSORBER REPAIR KIT

LT 6005, 967854501, 967854502, 967926202, 2019-08

Ref	Part No	Description	Remark	QTY KIT	
1	594 21 13-01	REPAIR KIT		1	
2	594 16 70-01	ABSORBER		2	1
3	595 34 83-01	SOCKET		4	1
4	595 03 66-01	WASHER	DIN125	4	1
5	595 03 45-01	SCREW		4	1

N LT 6005
TRANSMISSION REPAIR KIT

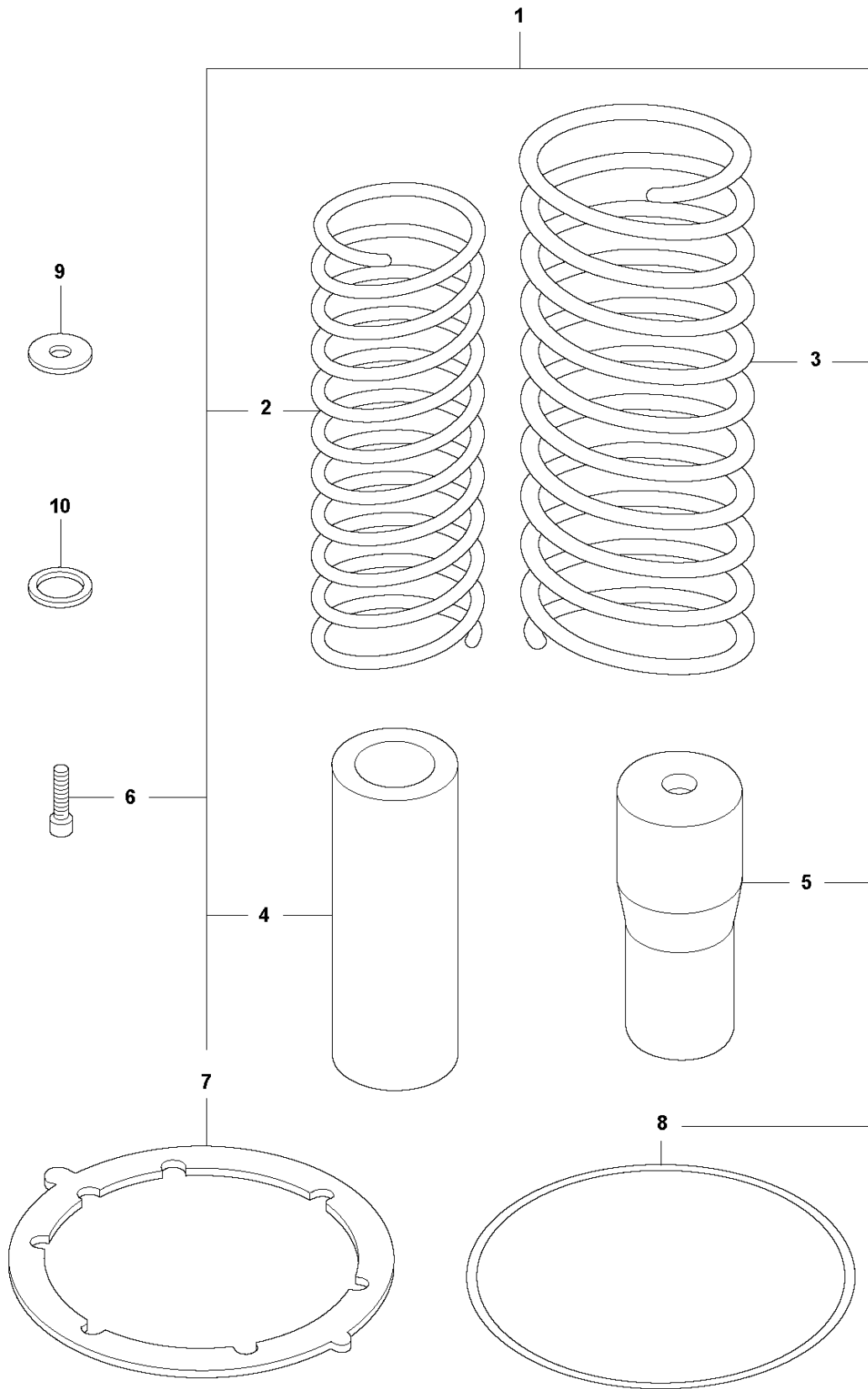


TRANSMISSION REPAIR KIT

LT 6005, 967854501, 967854502, 967926202, 2019-08

Ref	Part No	Description	Remark	QTY KIT	
1	594 65 51-01	REPAIR KIT		1	
2	594 53 74-01	ROLLER BEARING		1	1
3	594 25 85-01	BALL BEARING		1	1
4	594 12 47-01	RETAINER RING		1	1
5	594 53 73-01	ROLLER BEARING		1	1
6	595 04 56-01	SNAP RING		2	1
7	594 53 17-01	BALL BEARING		2	1
8	595 35 35-01	CIRCLIP		2	1
9	594 53 76-01	SEALING		1	1
10	594 12 27-01	NUT	M12 x 1.25 mm	1	1
11	595 35 52-01	O-RING	O ring	1	1
12	595 11 13-01	SCREW	M10 x 25 mm 8.8 A3K	4	1
13	595 11 77-01	O-RING	O ring	1	1
14	594 74 74-01	WASHER	10.5 x 22 x 2 mm, 0.41 x 0.87 x 0.08 in. 300 HV	4	1
15	595 34 87-01	SCREW	M10 x 35 mm 8.8 A3K	4	
16	595 11 29-01	WASHER	8.4 x 26 x 3 mm, 0.33 x 1.02 x 0.12 in.	1	
17	595 03 34-01	SCREW	M8 x 25 mm 8.8 A2K	1	

P LT 6005
SPRING UNIT REPAIR KIT

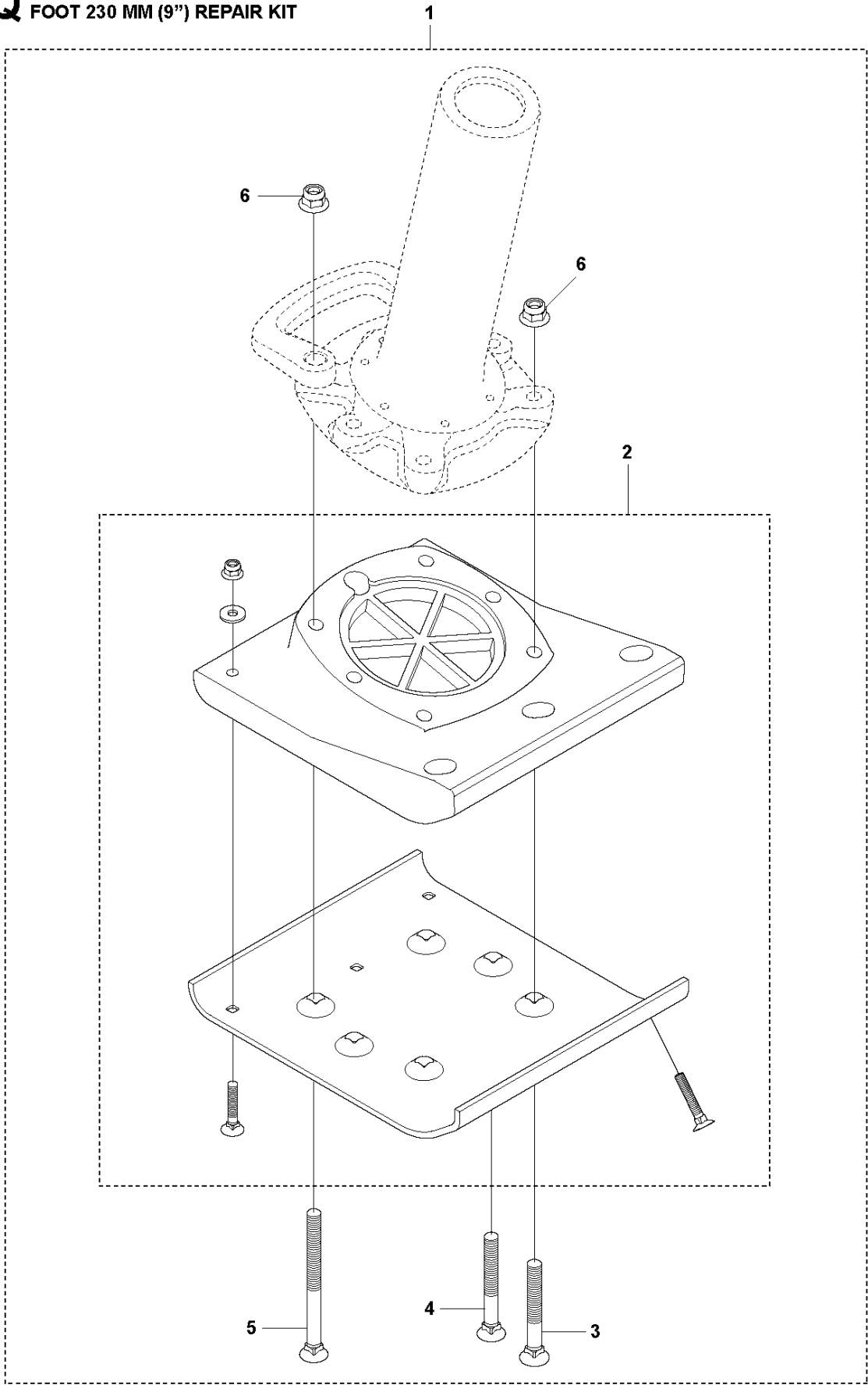


SPRING UNIT REPAIR KIT

LT 6005, 967854501, 967854502, 967926202, 2019-08

Ref	Part No	Description	Remark	QTY KIT
1	594 65 52-01	REPAIR KIT		1
2	594 44 18-01	SPRING		2 1
3	594 44 17-01	SPRING		2 1
4	594 44 19-01	STOP	polyurethane	1 1
5	594 44 20-01	STOP	polyurethane	1 1
6	595 34 83-01	SOCKET	M8 x 20 mm 8.8 A2K	12 1
7	594 45 59-01	GASKET	GASKET	1 1
8	595 04 71-01	O-RING	O-RING	1 1
9	594 12 77-01	SEALING WASHER	8.7 x 14 x 1 mm, 0.32 x 0.04 in. Type A	6
10	594 51 84-01	WASHER	27 x 32 x 2 mm, 1.06 x 1.26 x 0.08 in.	1

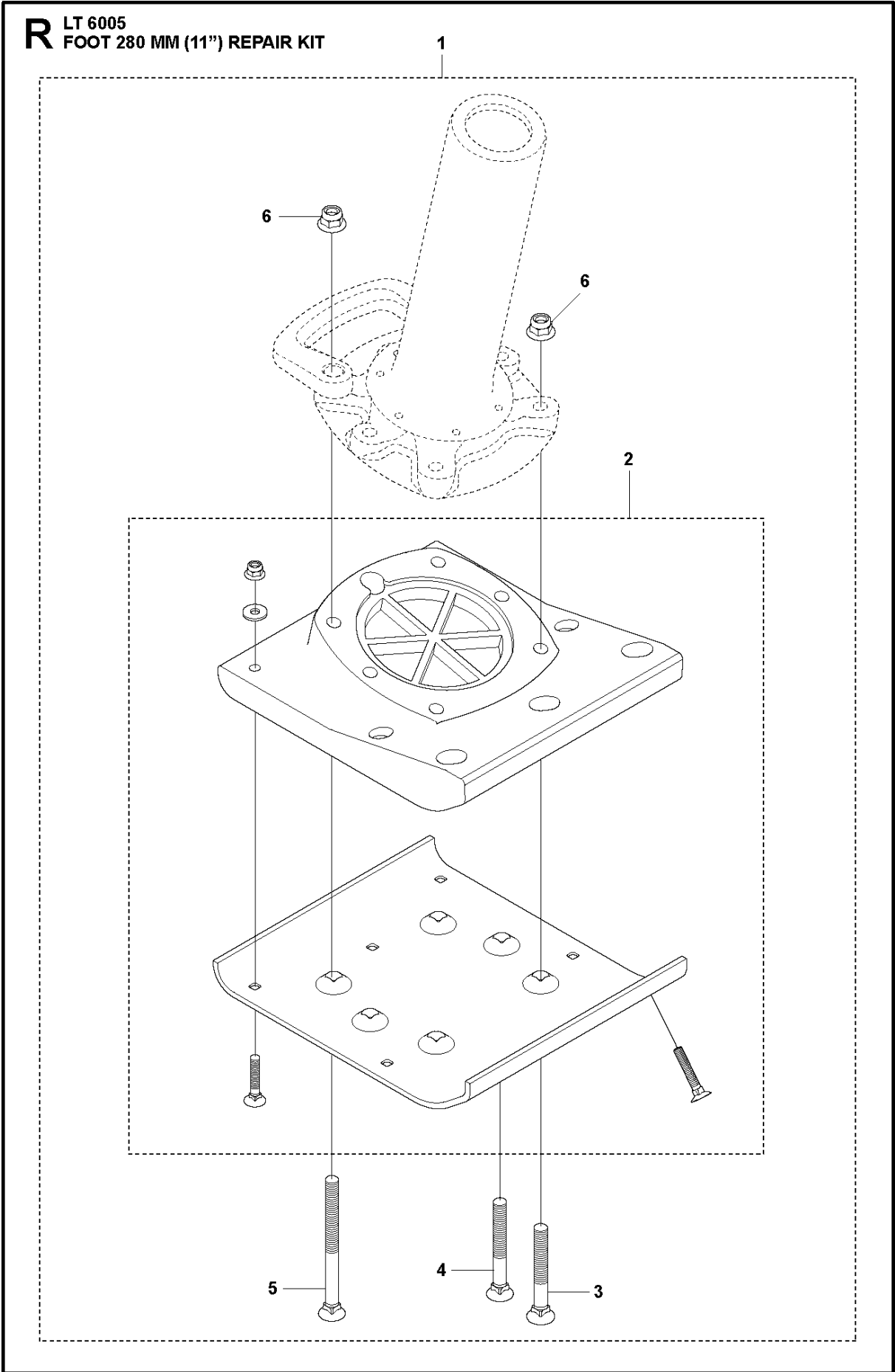
Q LT 6005
FOOT 230 MM (9") REPAIR KIT



FOOT 230 MM REPAIR KIT

LT 6005, 967854501, 967854502, 967926202, 2019-08

Ref	Part No	Description	Remark	QTY KIT	
1	596 76 48-01	FOOTPLATE	FOOT 230MM REPAIR KIT	1	
2	594 19 34-03	FOOTPLATE	Ramming Foot Mount 9 inch	1	1
3	594 12 22-01	BOLT	M12x100 din 608	2	1
4	594 12 23-01	BOLT	M12x110 din 608	2	1
5	594 12 24-01	BOLT	M12x150 din 608	2	1
6	594 12 32-01	LOCK NUT	Lock nut flanged M12x1,75 6	1	

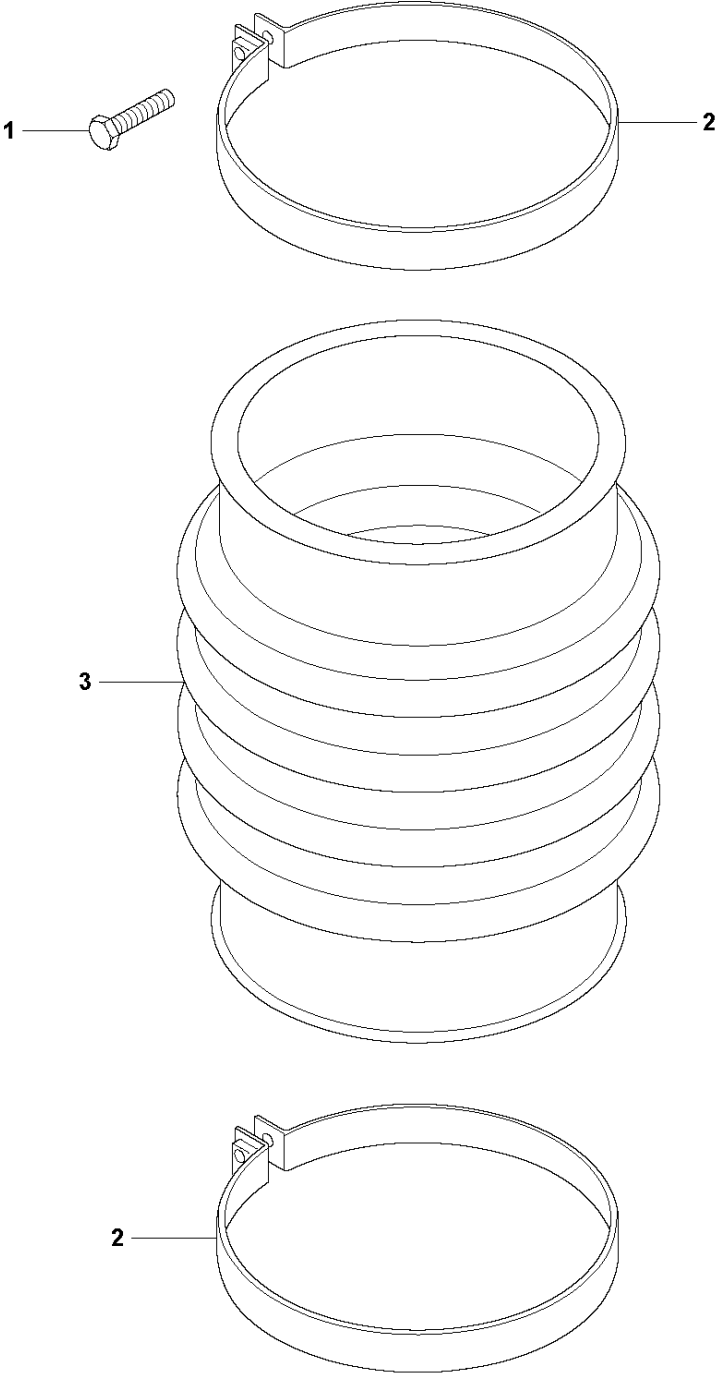


FOOT 280 MM REPAIR KIT

LT 6005, 967854501, 967854502, 967926202, 2019-08

Ref	Part No	Description	Remark	QTY KIT	
1	594 21 14-01	REPAIR KIT	FOOT 280 MM 11 IN. REPAIR KIT	1	
2	594 19 34-01	FOOTPLATE	Ramming Foot Mount 11 in.	1	1
3	594 12 22-01	BOLT	M12x100 din 608	2	1
4	594 12 23-01	BOLT	M12x110 din 608	2	1
5	594 12 24-01	BOLT	M12x150 din 608	2	1
6	594 12 32-01	LOCK NUT	Lock nut flanged M12x1,75 6	1	

S LT 6005
REPAIR KIT - BELLOWS

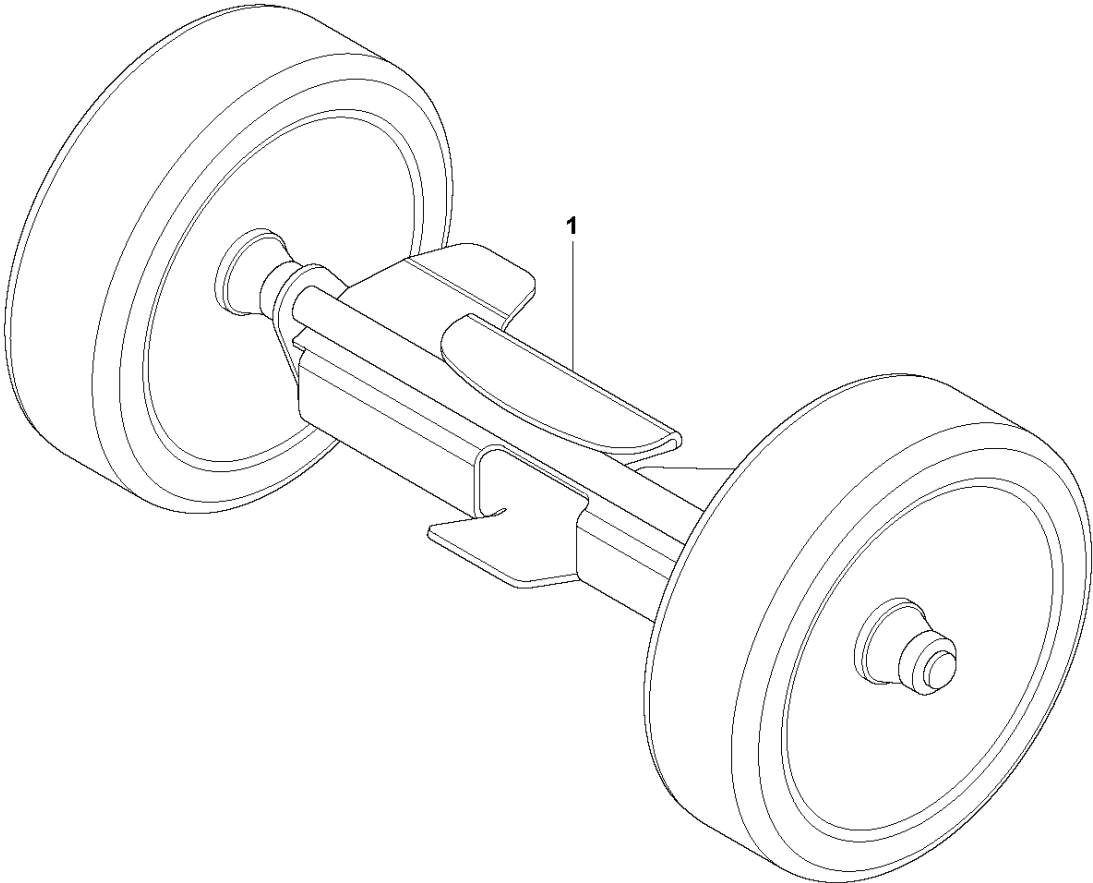


REPAIR KIT BELLOWS

LT 6005, 967854501, 967854502, 967926202, 2019-08

Ref	Part No	Description	Remark	QTY KIT
1	595 03 35-01	SCREW		2
2	594 34 96-01	HOSE CLAMP		2
3	594 65 20-01	BELLOWS		1

T LT 6005
TROLLEY

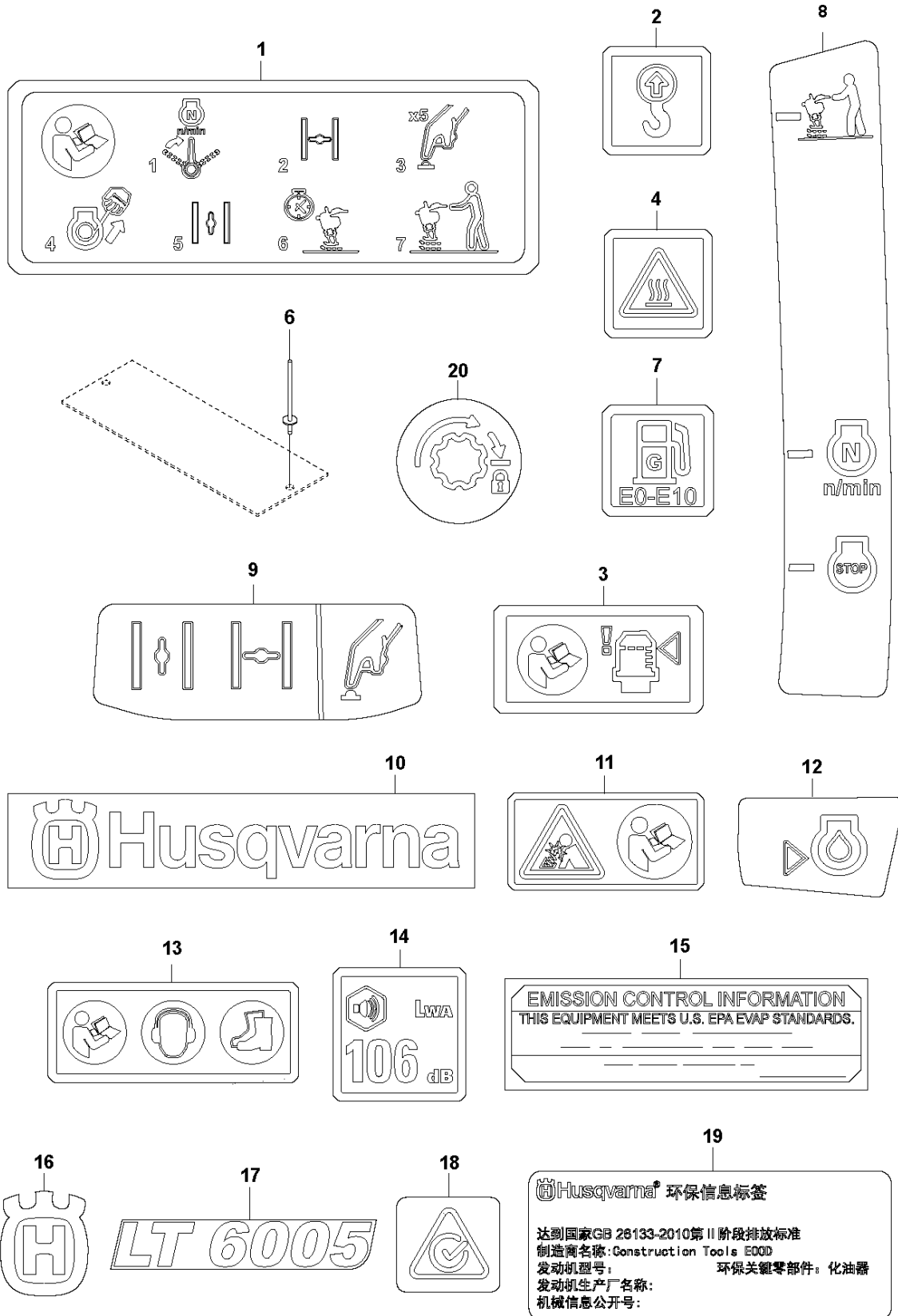


TROLLEY

LT 6005, 967854501, 967854502, 967926202, 2019-08

Ref	Part No	Description	Remark	QTY KIT
1	596 02 38-01	TRANSPORT		1

U LT 6005
DECALS



DECALS

LT 6005, 967854501, 967854502, 967926202, 2019-08

Ref	Part No	Description	Remark	QTY KIT
1	594 66 14-01	LABEL		1
2	594 65 99-01	LABEL		2
3	594 66 00-01	LABEL		1
4	594 65 98-01	LABEL		1
6	595 34 40-01	RIVET		2
7	594 66 02-01	LABEL		1
8	594 66 01-01	LABEL		1
9	594 66 11-01	LABEL		1
10	594 17 29-01	LABEL		2
11	594 51 44-01	DECAL		1
12	594 66 13-01	LABEL		1
13	594 65 96-01	LABEL		1
14	594 66 15-01	DECAL		1
15	597 19 44-01	DECAL		1
16	595 31 98-01	DECAL		1
17	595 09 66-01	DECAL		2
18	596 28 02-01	DECAL		1
19	596 25 58-01	DECAL	China only	1
20	594 66 18-01	LABEL		1